

Instructions / Installation Instructions M-Trap

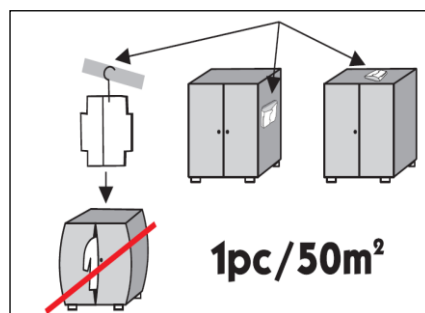
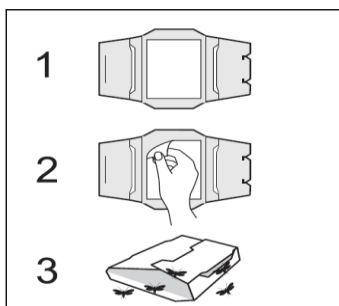
M-TRAP

Pheromone trap for monitoring the presence of cloth moths

Effective against:

- Clothes moth (*Tineola bisselliella*)
- Case-making clothes moths (carpet moths) (*Tinea pellionella*)

How to use:



The special M-Trap was developed to trap clothes moths (*Tineola bisselliella*) and carpet moths (*Tinea pellionella*). They protect natural, synthetic or mixed blend textiles found in museums.

A synthetic female pheromone is used as an attractant to lure male moths into the trap. The unique design encourages male moths to approach the trap and land on the adhesive surfaces. The traps eliminate male moths. With the stop of reproduction no further generations of moth larvae can be produced.

These moth traps feature a very long period of effectiveness (pheromone release). Effectiveness is limited only by the level of dirt on the adhesive surface from dead captured moths. Their design allows traps to be placed quickly and easily around the room. The use of traps is completely safe for humans and pets.



General Information about the M-Trap

PRINCIPLE OF USE – A synthetic female pheromone is used as an attractant to lure male moths into the trap. The unique design encourages male moths to approach the trap and land on the adhesive surfaces. Pheromone emission has been adjusted and limited to attract male moths only within the range of the trap.

PLACEMENT – Place the traps in locations where cloths moths are present. Traps should be located in well-ventilated rooms in order to guarantee the proper distribution of pheromones. In closed rooms where materials are stored, the traps should be placed in drawers, or otherwise hung outside a cabinet, for example. Place the traps no less than 5 meters apart. Each trap protects an area of up to 50 m².

RANGE OF EFFECTIVENESS – The insect traps has maximum effectiveness within temperatures between + 5 ° C to + 40C. At temperatures above 30 ° C there may be problems in separating the protective foil from the adhesive surface. In this case it is recommended to place the traps into a refrigerator for several seconds to harden the adhesive surfaces; removing the foil should then no longer be a problem.

EXPIRATION DATE - If left in their original packing, the traps can be kept for up to 60 months after date of production. Once the traps have been unpacked and placed properly, they are effective for between 30-60 days. The length of effectiveness may be limited due to several factors, such as the level of dust in the room. This may cause an accelerated deactivation of the adherent surface.

This product does not contain any dangerous substances.

IMPORTANT NOTE!

- If you already see clothes or carpet moths in the room before you begin using the traps, this means that the moth infestation level is already high. In normal circumstances if materials have already been contaminated you will not see the moths in flight.
- Due to the almost identical appearance of clothes / carpet moths and meal moths, you should be particularly careful to avoid false identification.

Grafschaft, April 2016